

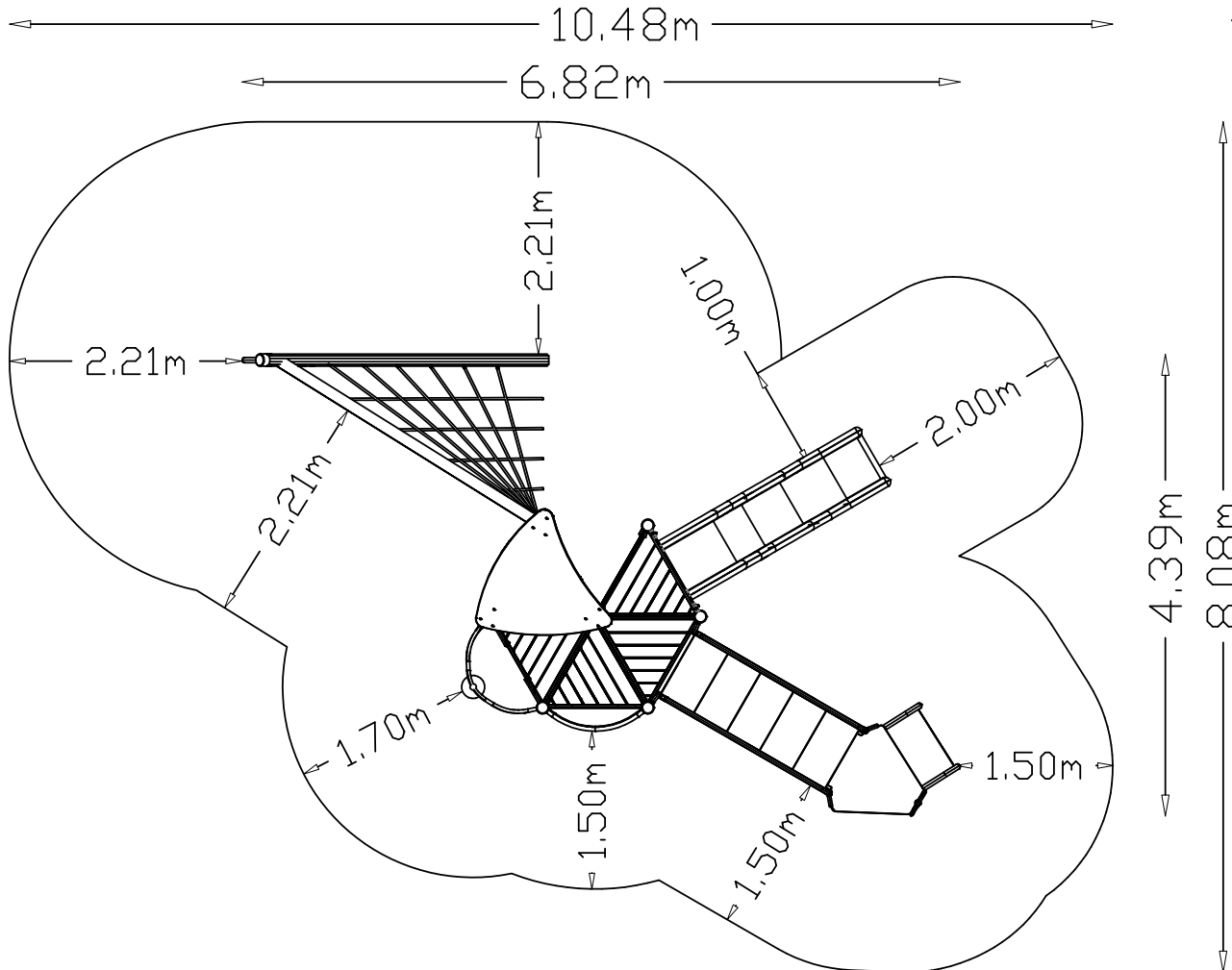
S6

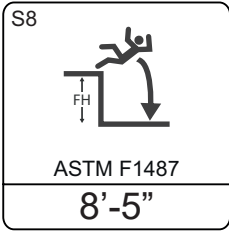


EN1176

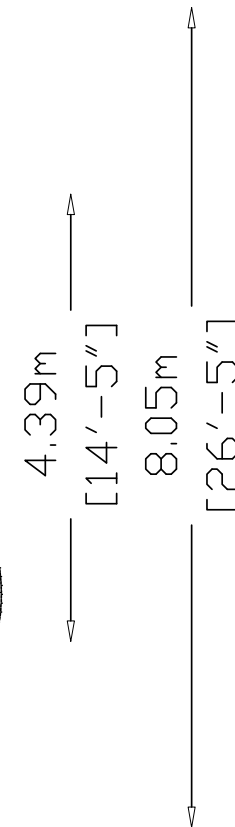
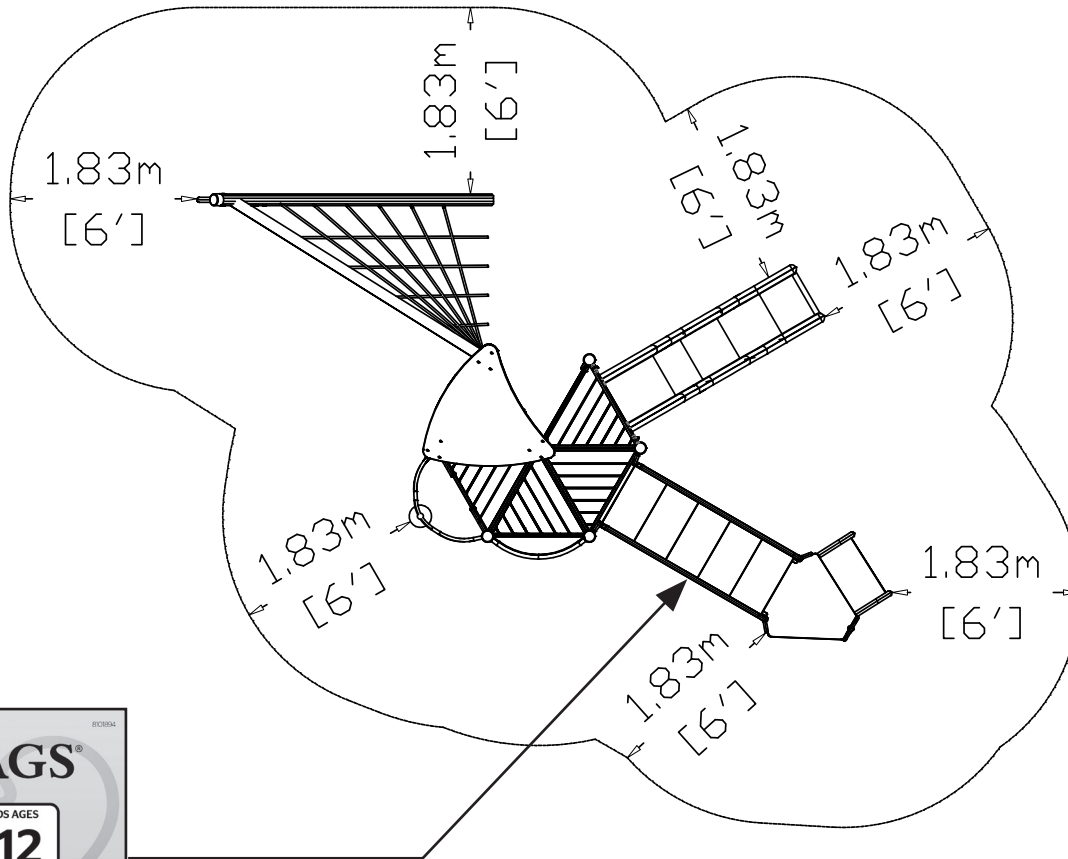
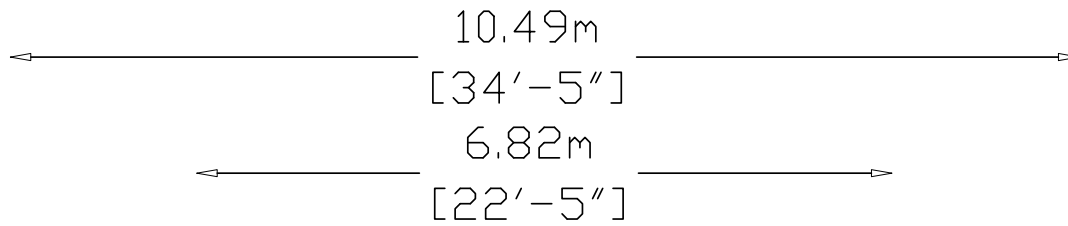
2.56m

EN1176





ASTM F1487



INSTALL 101

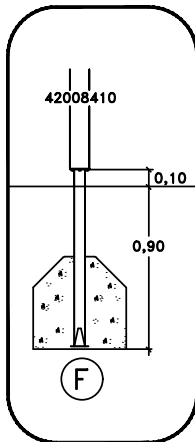
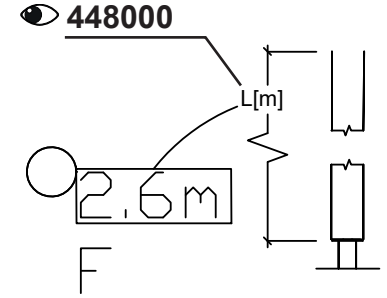
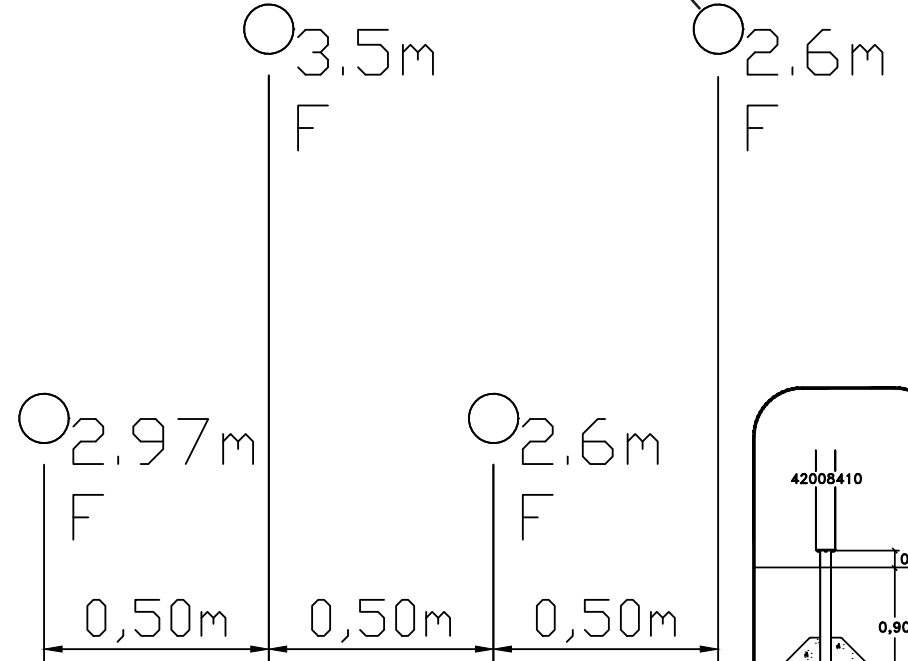
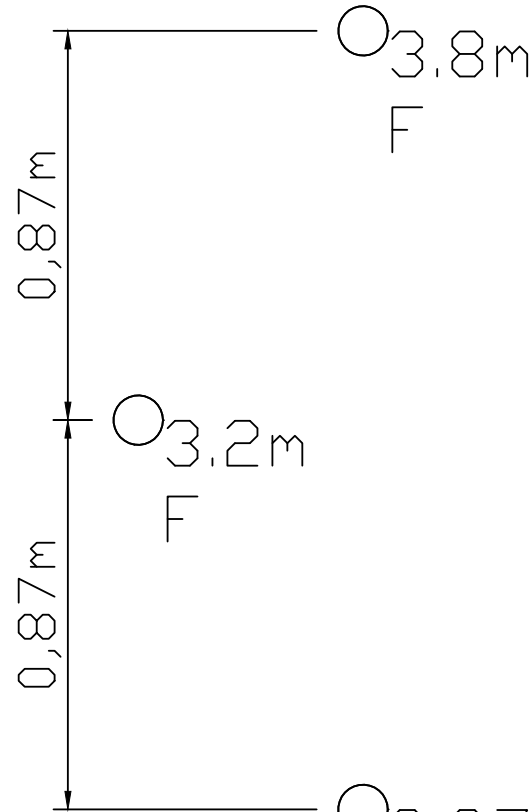
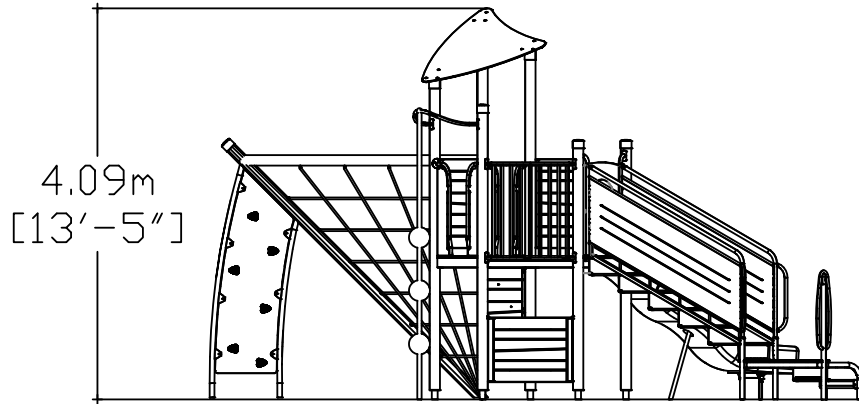
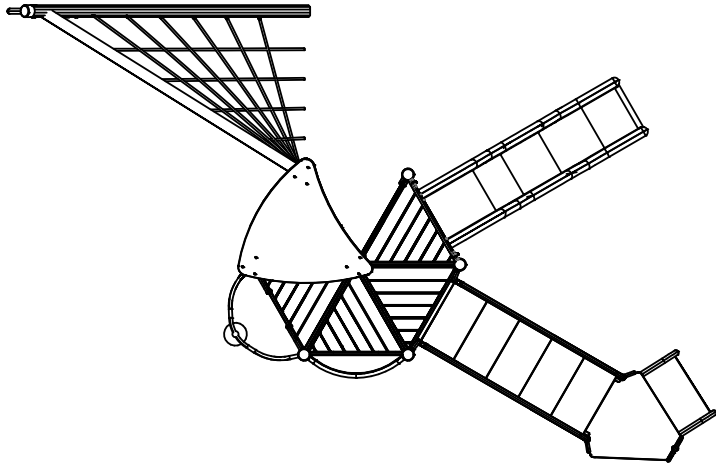
<p>WARNING Playground equipment should not be used as a structure, support or padding, and may cause serious injury or death. Do not use the playground with animals. It is not to be used as a structure.</p> <p>WARNING Children are required to use the play surface caught in slides and other playground equipment. Before allowing children to play, verify that the play surface, slides, and other equipment are properly installed and maintained.</p> <p>WARNING All playground equipment and other surfaces should be checked for proper installation. Check for hot surfaces before allowing children to play. Children should wear appropriate shoes at all times.</p> <p>WARNING Playground equipment on other playgrounds can be used to provide safety from falls, collisions, and head strikes. Do not use the playground as a structure. The structure while playing and be used.</p>	<p>play smart® rules</p> <p>Do not play on broken or damaged equipment. Report it.</p> <p>Do not play without adequate safety training from your school or organization.</p> <p>Do not play on or run on playground equipment and do not play on equipment that is not safe.</p> <p>Do not play on or run on playground equipment and do not play on equipment that is not safe.</p> <p>Do not play on or run on playground equipment and do not play on equipment that is not safe.</p> <p>Do not play on or run on playground equipment and do not play on equipment that is not safe.</p>	<p>WARNING Playground equipment should not be used as a structure, support or padding, and may cause serious injury or death. Do not use the playground with animals. It is not to be used as a structure.</p> <p>WARNING Children are required to use the play surface caught in slides and other playground equipment. Before allowing children to play, verify that the play surface, slides, and other equipment are properly installed and maintained.</p> <p>WARNING All playground equipment and other surfaces should be checked for proper installation. Check for hot surfaces before allowing children to play. Children should wear appropriate shoes at all times.</p> <p>WARNING Playground equipment on other playgrounds can be used to provide safety from falls, collisions, and head strikes. Do not use the playground as a structure. The structure while playing and be used.</p>
---	---	---

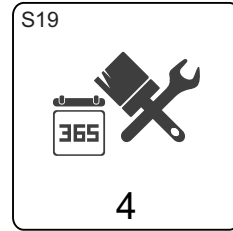
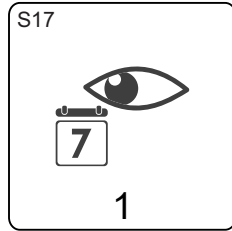
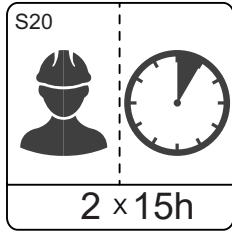
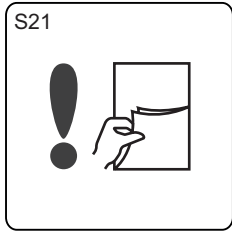


HAGS®


FOR KIDS AGES
5-12
YEARS

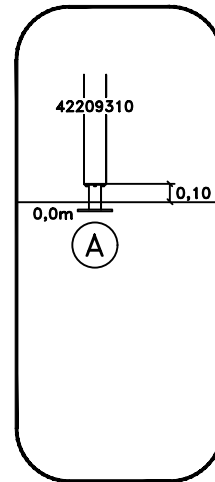
ADULT SUPERVISION RECOMMENDED
www.hags.com



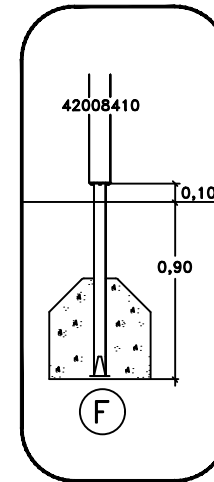


Install 101
260329
420970
420995
426162
426200
448000
42008010
42275323
42475323
MA422U77151
MA424U77151
MASW103874
MASW34156
MASW38904
MASW39775
MASW57259
MASW57270
MASW85869

 **42008010**

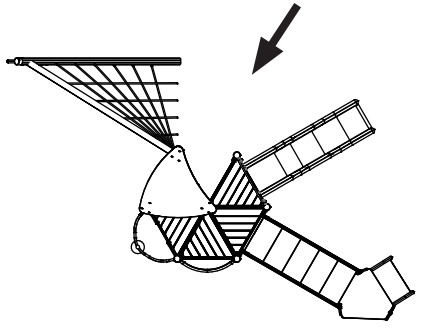


Above Ground
OM

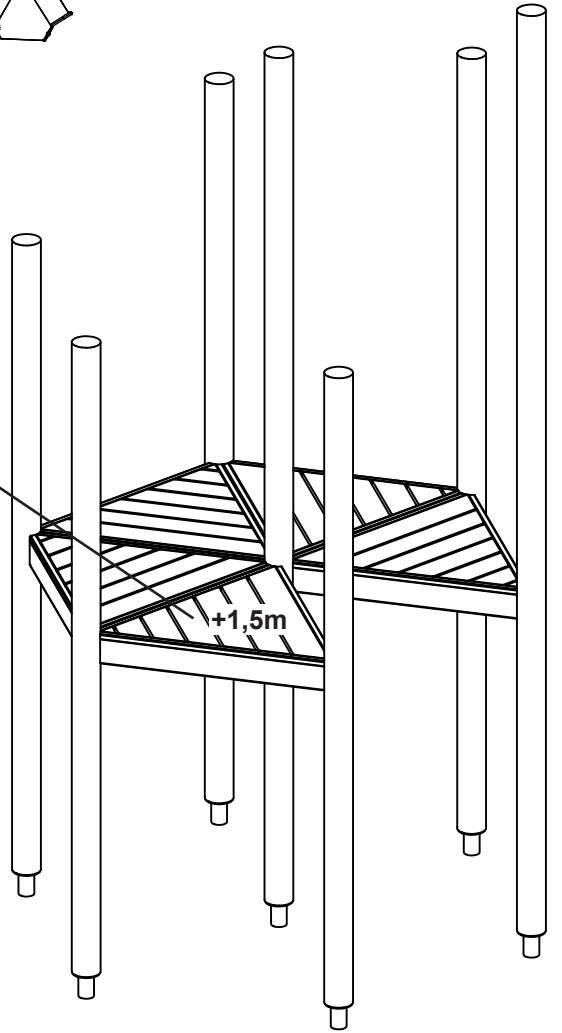


Cast Loose Fill
BM

8102017



426162
x5

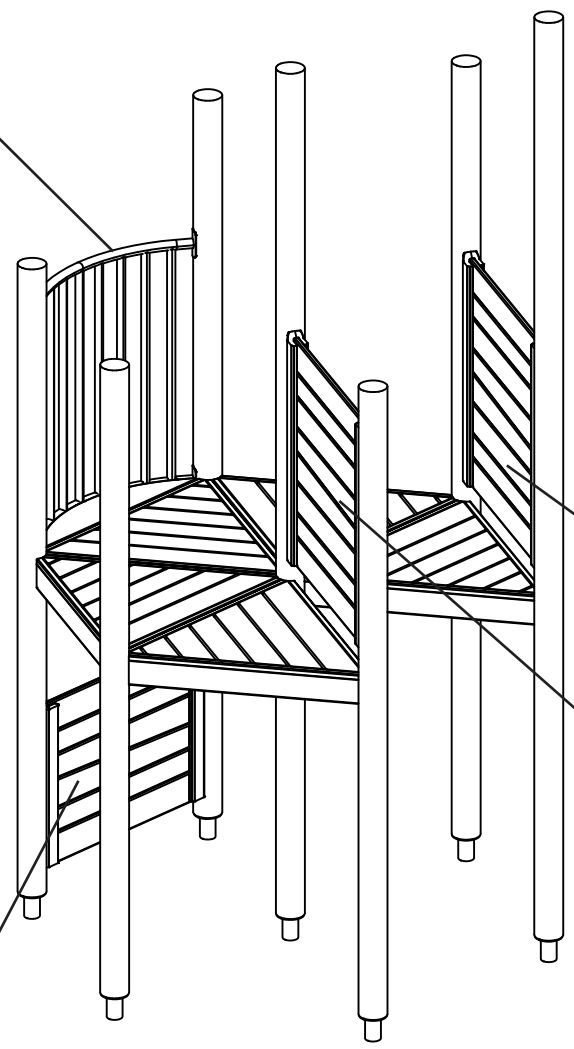


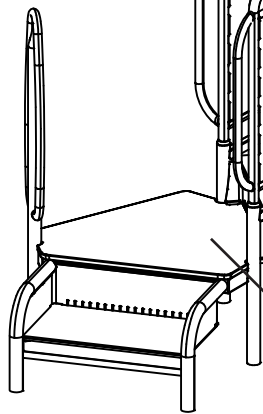
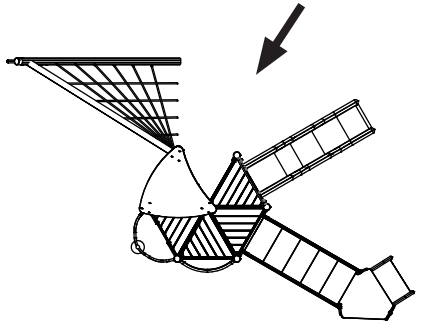
MASW34156

426200
8046888

426200
8047223

426200
8047223





● 42475323 [BM]
 ● 42275323 [OM]

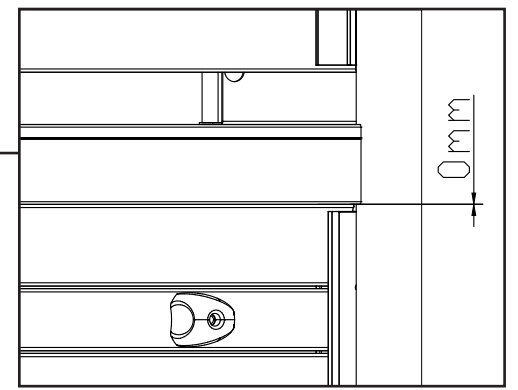
● 420970

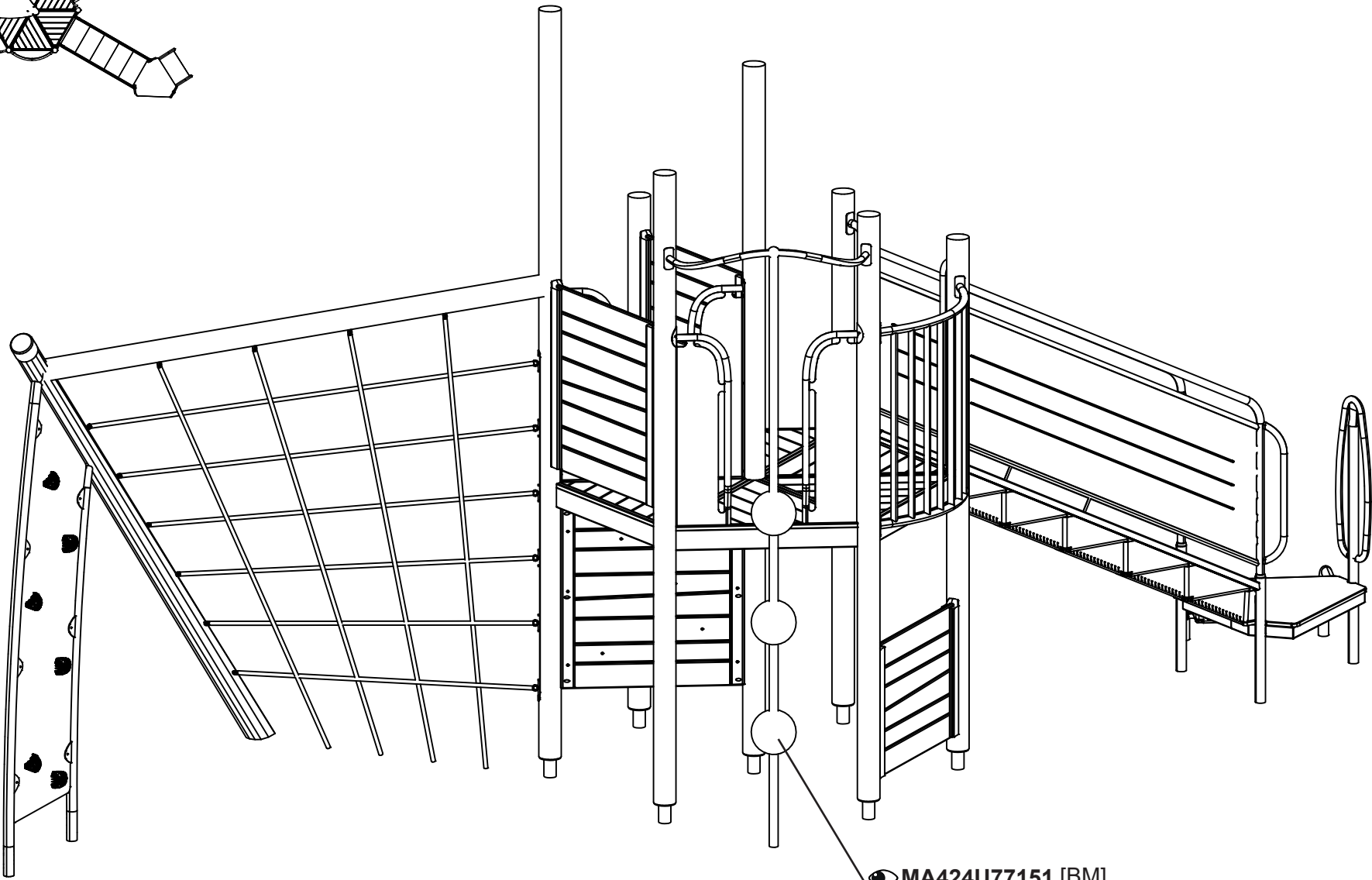
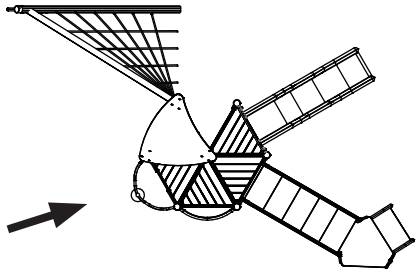
● MASW36784

● 420995

● MASW57270 [BM]
 ● MASW57259 [OM]

+2,56m





MA424U77151 [BM]

MA422U77151 [OM]

